

# *Contura* COSI



contura.eu

Surround kit for Ci8 cassettes





# Build your dream fireplace

Creating the perfect fireplace for your home has never been this easy. The Contura COSI surround kit is engineered from a lightweight material that is simple to install around our Contura i8 cassettes. Contura COSI comes in several dimensions, so you can build your fireplace where you want it. Filling and painting the boards requires little effort. Thanks to Contura COSI, it's never been easier to build the fireplace of your dreams!



# Calcium silicate board – safe and versatile

Calcium silicate is an extremely durable material that resists temperatures up to 1000°C and is easily worked with standard tools. Contura COSI comes as ready-to-build kits. This cuts down on installation time and gives you greater flexibility when choosing where to position your fireplace. The material has a high insulation performance which means your fireplace can be installed directly against a combustible wall and close to combustible materials. Everything you need for installation is included.



Tall, glass on 3 sides.



Tall, glass on 2 sides,  
right or left.



Low, glass on 3 sides.

## **COSI surround kit for Ci8 cassettes**

Tall options are designed for a ceiling height of 2500 mm

Lowest ceiling height of 2330 mm for tall options

Can be installed directly against a combustibile wall thanks to the built-in protective screen.

Extension kit 600 mm is an optional extra

Discreet air intake for convection air at the base

Available for all Ci8 cassettes

# Details



## Tall, glass on 3 sides

Height (mm)	2480
Width (mm)	725
Depth (mm)	450
Weight (kg) excl. cassette	68
Price incl the Ci8 cassette	(2413,-) <b>2895,-</b>
Price incl the Ci8G cassette	(2579,-) <b>3095,-</b>



## Tall, glass on 2 sides, right or left

Height (mm)	2480
Width (mm)	835
Depth (mm)	450
Weight (kg) excl. cassette	78
Price incl the Ci8 cassette	(2413,-) <b>2895,-</b>
Price incl the Ci8G cassette	(2579,-) <b>3095,-</b>

## Low, glass on 3 sides

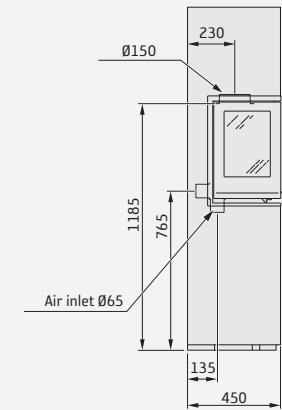
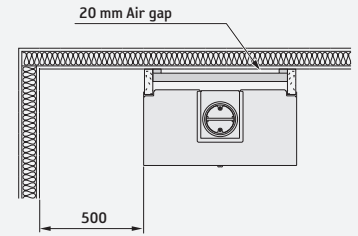
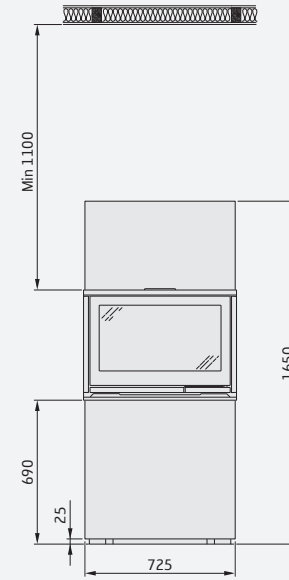
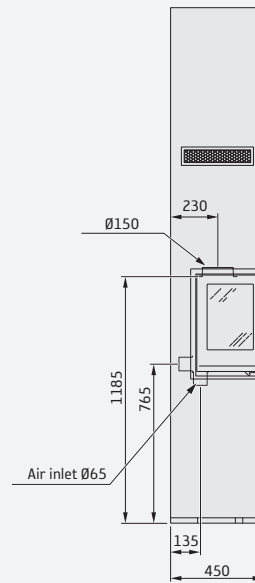
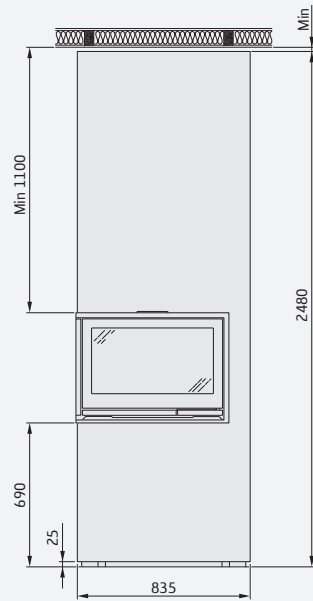
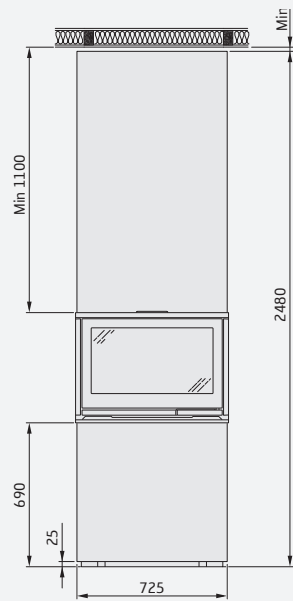


Height (mm)	1650
Width (mm)	725
Depth (mm)	450
Weight (kg) excl. cassette	55
Price incl the Ci8 cassette	(2246,-) <b>2695,-</b>
Price incl the Ci8G cassette	(2416,-) <b>2895,-</b>

**Optional extras:** Extension kit 60 cm, hearth plate and outside air connection.

The price includes calcium silicate boards, cassette, screws, filler, corner protectors, heat-resistant adhesive and a hot air grille (paint is not included).

# Dimensions



A warm welcome  
in your home.

Relax in comfort  
with Contura.

Find more details about our stoves at [Contura.eu](http://Contura.eu)



Contura

NIBE AB

Box 134

SE-285 23 Markaryd

Tel. +46 (0)433 27 51 00

[contura.eu](http://contura.eu)

**NIBE** GROUP MEMBER